

PRO ShakeSort™

SPECIFICATIONS

Adjustable Speed
Up to 20,000 notes/hour

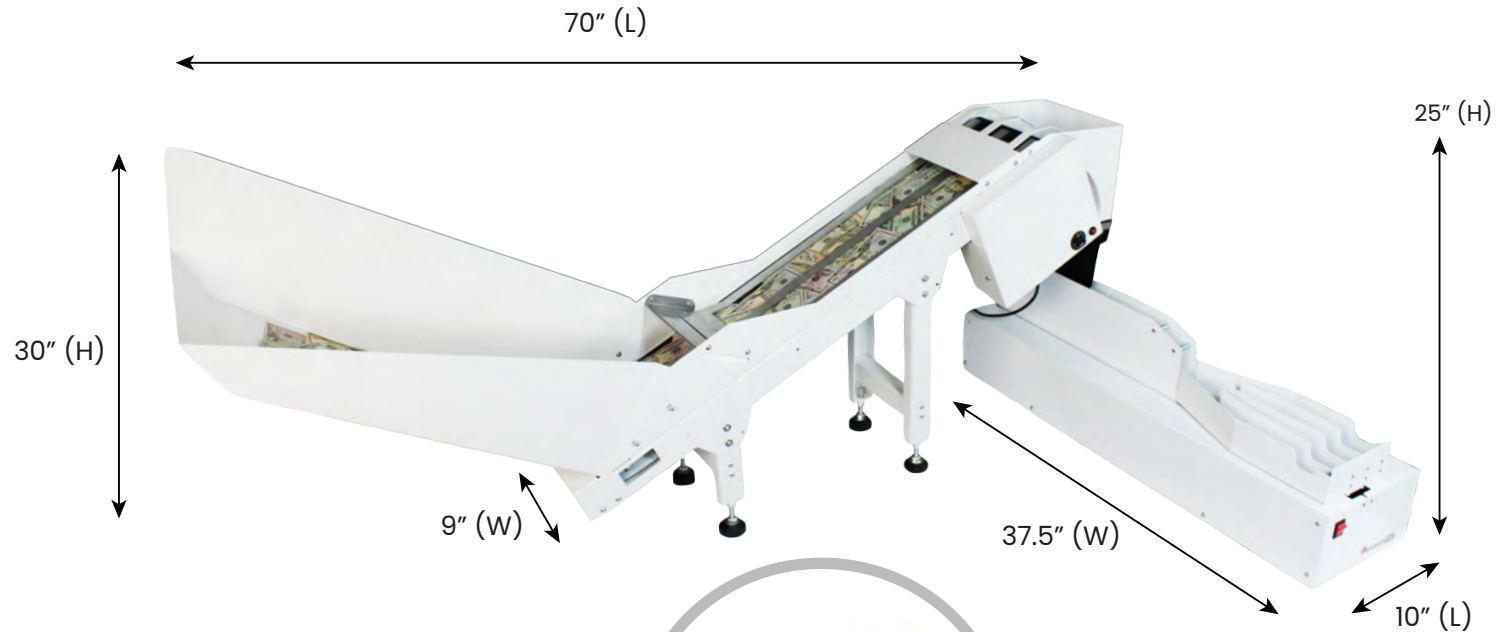
Stacking Trays
4

Hopper Capacity
5,000-10,000 notes

Weight
154lbs (70kg)

Option
Large 10,000 note hopper

- Neatly stacks disorderly and crumpled notes
- Ideal for stacking notes from stacking smart safe bags
- Requires operator assistance
- Increases note throughput by 75-100% compared to manual sorting



CASSIDA® | MOVING MONEY FORWARD